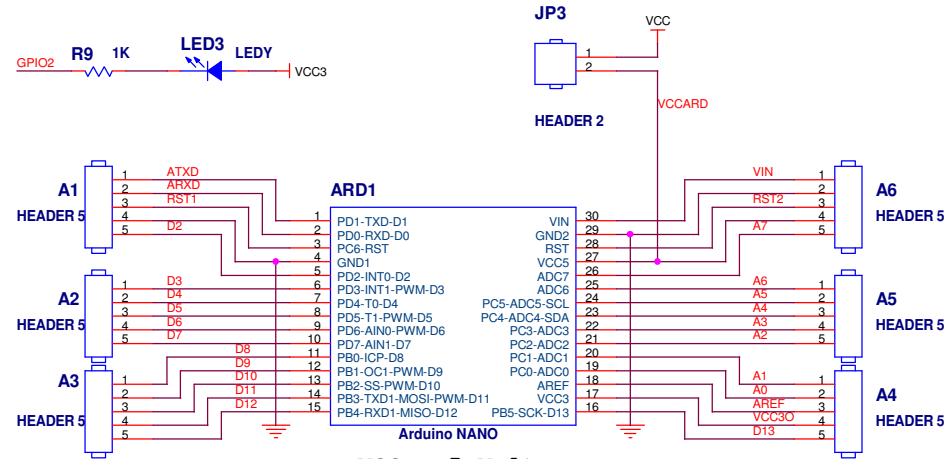
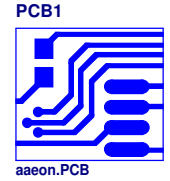


Jumpers JP1 and JP2
 1 - 2 = Arduino
 2 - 3 = CH340



VCC = 5 Volts
 From USB or Board



Title			AAEON breakout		
Size	Document Number		Rev		
B	<Doc>		V2		
Date:	Thursday, December 20, 2018	Sheet	1	of	1